

SRT025 SERIES THERMOSTAT

DESCRIPTION

SRT025 series thermostats are manufactured perfectly. They are widely used in commercial, industrial and residential buildings. They are suitable for room temperature control of heating, cooling or year-round air-conditioning system, especially for fan coil, electrical heater, etc. The thermostat is highly sensitive, easy-installation and reliable.



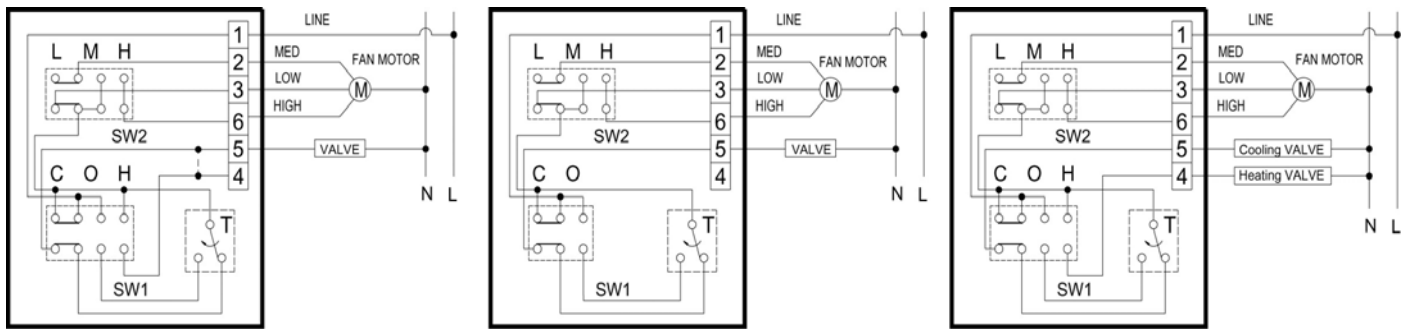
SPECIFICATIONS AND TECHNICAL DATA

MODEL	SRT 025A System HEAT-OFF-COOL; Fan HIGH—MED—LOW		
	SRT 025B System ON-OFF; Fan HIGH—MED—LOW		
	SRT 025C System HEAT-OFF-COOL; 4-PIPE; Fan HIGH—MED—LOW		
WORKING RANGE	10~30℃		
TEMPERATURE DIFFERENCE	Approximately 0.5~0.8℃		
SENSITIVE ELEMENT	Unipolar gas filled bellow		
RATED CURRENT AND VOLTAGE	Thermostat	1A	250V AC
	Fan switch	6(2)A	250V AC
WIRING CONNECTION	Screw terminals		
HOUSING	MATERIAL	Hard fireproof plastic	
	COLOR	Milk white	

INSTALLATION INSTRUCTION

1. Mount the thermostat vertically on the wall in the air-conditioned room. It should be 1.5m above the floor so that it can measure the room temperature accurately with enough air passing through.
2. Install the thermostat in the place without direct shining and from cooking device or other heat sources.
3. Loosen the screw on the top of the cover (but don't take them out to avoid losing). Remove the cover according to the Installation Diagram (Notice: Do not remove the adjusting knob.)
4. Pass the wires through the square hole of the base bottom. Connect the wires to the terminals as shown on the Installation Diagram inside the cover and tighten them.
5. Fix the base on the connection box with screws.
6. Keep the two switches at the lowest position (marked "COOL" and "LOW"). Fix the cover as the arrow direction according to the Installation Diagram. Eventually tighten the screw on the cover.
7. The optional standard connection box is wall-mounted with screws and standard terminals. The size is 86x86x32. Details are shown on the Installation Diagram.

WIRING DIAGRAM



SRT025A

SRT025B

SRT025C

INSTALLATION DIAGRAM

